

TOOLS NEEDED

REQUIRED:

- EYE PROTECTION
- PENCIL
- MEASURING TAPE
- ELECTRIC DRILL
- FRAMING SQUARE
- SKIL SAW
- STAR OR PHILLIPS DRIVER BIT
(INCLUDED WITH SCREWS)

RECOMMENDED:

- TABLE SAW



BILL OF MATERIALS / COST

PART	QTY.	DESCRIPTION	SIZE	MAT'L	COST
A	1	TABLE TOP	48"x32"	2 ³ / ₂ " PWD.	28.47 / SHEET
B	2	TABLE SUPPORT	SEE DWG.	2x6	3.75
C	12	1/2" CORNER BRACE	-	STEEL	3.78
D	4	SAWHORSE BRACKET	-	STEEL	8.98
E	1	SHELF	48"x16"	2 ³ / ₂ " PWD.	-
F	8	LEG	35"	2x4	6.51
G	4	SHELF SUPPORT	24"	2x4	-
H	102	2" WOOD SCREWS	-	STEEL	7.97 / BOX
J	24	#10x3/2" SCREWS	-	STEEL	1.98
TOTAL					\$61.44

RECOMMENDED PROCEDURE

THE FOLLOWING IS A RECOMMENDED PROCEDURE FOR ASSEMBLING THE SAWHORSE DRAFTING TABLE. PLEASE USE CAUTION WHEN USING POWER TOOLS AND ALWAYS WEAR EYE PROTECTION.

1. CUT WOOD TO REQUIRED LENGTHS. IF YOU PURCHASED AN 8'-0" PIECE OF PLYWOOD YOU WILL HAVE ENOUGH FOR TWO TABLES.
2. ATTACH LEGS (PART F) TO SAWHORSE BRACKETS (PART D) USING 2" WOOD SCREWS (PART H).
3. OPEN BRACKETS AND INSERT TABLE SUPPORT (PART B) INTO BRACKETS. WHEN LOCATING BRACKETS, BE CAREFUL TO POSITION 16" APART (MEASURED FROM INSIDE EDGES).
4. AFTER BRACKETS ARE POSITIONED, SPREAD LEGS APART TO SEAT TABLE SUPPORT.
5. ATTACH SHELF SUPPORTS (PART G) TO LEGS. USE AT LEAST 2 SCREWS PER LEG. BE SURE TO MATCH POSITION ON BOTH SETS OF LEGS SO THAT SHELF WILL BE LEVEL.
6. ATTACH SHELF (PART E) TO SHELF SUPPORTS. USE AT LEAST 6 SCREWS SPACED EVENLY ALONG EDGE OF SHELF.
7. POSITION TABLE TOP (PART A) ON TOP OF TABLE SUPPORT AND ATTACH USING CORNER BRACES. USE THE #10x 3/2" SCREWS (PART J) WHEN ATTACHING TO TABLE BOTTOM.

NOTES

- THE COST OF THE TABLE MAY VARY FROM ESTIMATE.
- THE BORCO TOP IS NOT INCLUDED IN THE COST OF THE TABLE.
- AFTER THE TABLE IS COMPLETED, VARNISH SHOULD BE APPLIED TO WOOD SURFACES AS A PROTECTANT.
- BE SURE TO CHECK THE WIDTH OF THE DOOR TO THE ROOM THAT THE TABLE WILL BE PLACED IN. IF THE DOORWAY IS TOO NARROW, DO NOT ATTACH THE TABLE TOP UNTIL THE TABLE BASE HAS BEEN MOVED INTO THE ROOM.
- IF THE PLYWOOD IS PURCHASED AT HOME DEPOT OR LOWES, YOU MAY BE ABLE TO HAVE IT CUT FOR A NOMINAL FEE.
- IF YOU SEE ANY INFORMATION THAT SHOULD BE ADDED OR CHANGED ON THIS PROJECT, PLEASE EMAIL ME AT:
dmartin@glendale.edu.

GOOD LUCK AND ENJOY THE PROJECT!

DESIGNED BY:
DAVE MARTIN - ARCHITECTURE DEPARTMENT - GLENDALE COLLEGE
ALSO, WITH MUCH THANKS TO MARK MAYNARD FOR HIS ASSISTANCE :)

GLENDALE COMMUNITY COLLEGE

TITLE: **SAW HORSE DRAFTING TABLE**

DRAFTER: DAVE MARTIN

SCALE: 1/2"=1'-0"

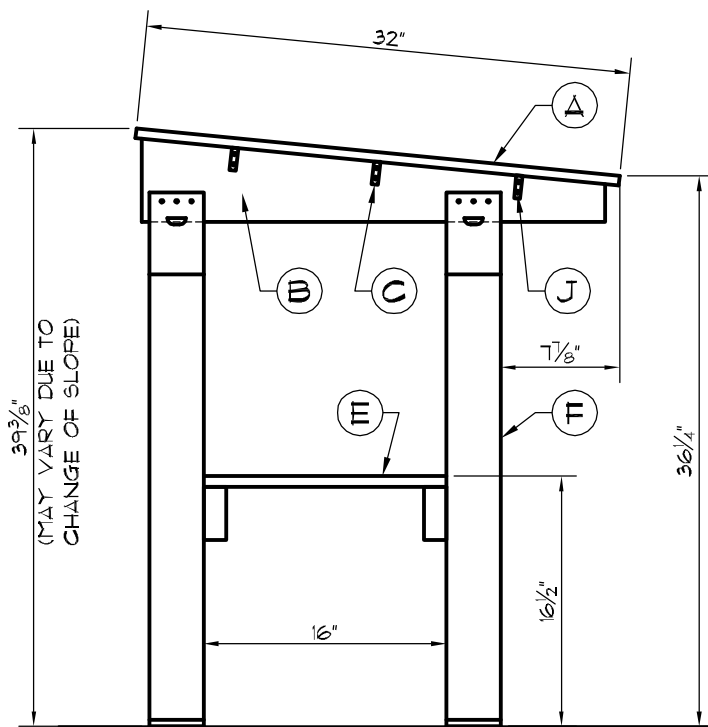
DATE: 5-2-2007

SHEET TITLE: BILL OF MATERIALS / PROCEDURE

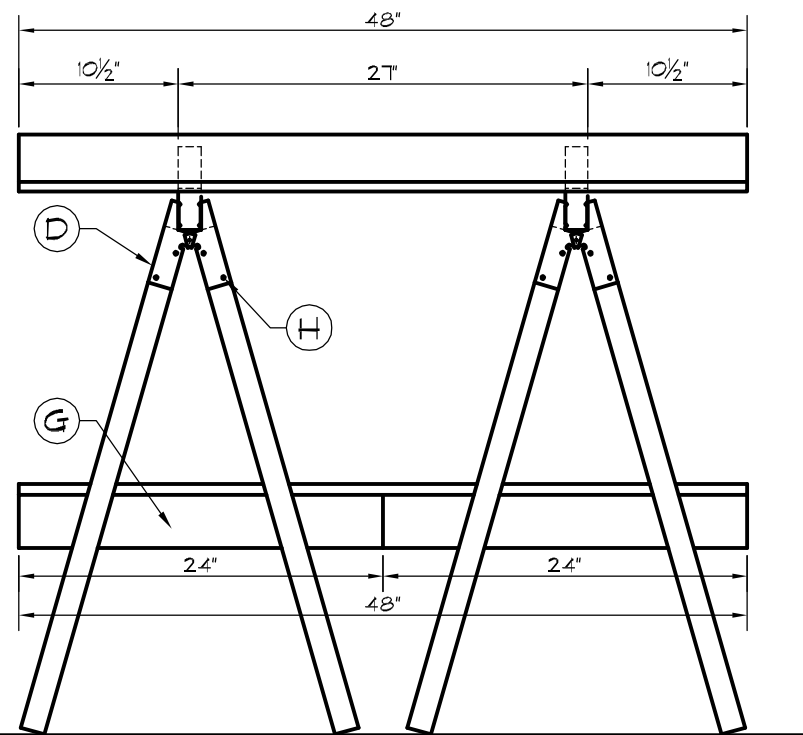
SHEET

A-1

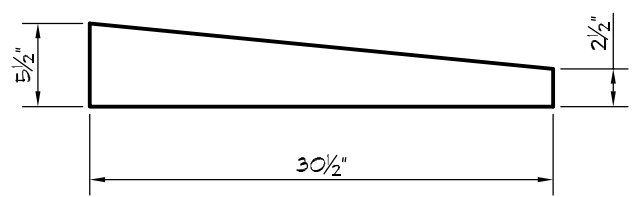
1 OF 2



SIDE VIEW



FRONT VIEW



PART "B" DIMENSIONS

GLENDALE COMMUNITY COLLEGE	
TITLE: SAW HORSE DRAFTING TABLE	
DRAFTER: DAVE MARTIN	SHEET
SCALE: 1/2"=1'-0"	CLASS: ALL CLASSES
DATE: 5-2-2007	A-2 2 OF 2
SHEET TITLE: FRONT & SIDE VIEW	